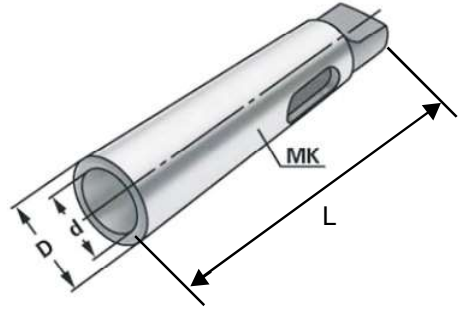


## Reduction Sleeves for Tools with Morse Taper Shanks DIN2185 莫氏带扁尾减径套



Order No. 货号	Size 规格	MK	D(mm)	d(mm)	L(mm)	重量(Kg)	精度 Accuracy(mm)
4301.3001	MK1-MK0	1	13	9.045	80	0.10	0.015
4301.3002	MK2-MK1	2	18.6	12.065	92	0.10	
4301.3003	MK3-MK1	3	24.1	12.065	99	0.24	
4301.3004	MK3-MK2	3	24.7	17.780	112	0.12	
4301.3005	MK4-MK1	4	31.6	12.065	124	0.60	
4301.3006	MK4-MK2	4	31.6	17.780	124	0.50	
4301.3007	MK4-MK3	4	32.4	23.825	140	0.38	
4301.3008	MK5-MK1	5	44.7	12.065	156	1.59	
4301.3009	MK5-MK2	5	44.7	17.780	156	1.49	
4301.3010	MK5-MK3	5	44.7	23.825	156	1.36	
4301.3011	MK5-MK4	5	45.5	31.267	171	0.95	
4301.3012	MK6-MK1	6	63.8	12.065	218	3.84	
4301.3013	MK6-MK2	6	63.8	17.780	218	3.73	
4301.3014	MK6-MK3	6	63.8	23.825	218	3.85	
4301.3015	MK6-MK4	6	63.8	31.267	218	3.12	
4301.3016	MK6-MK5	6	63.8	44.399	218	1.95	