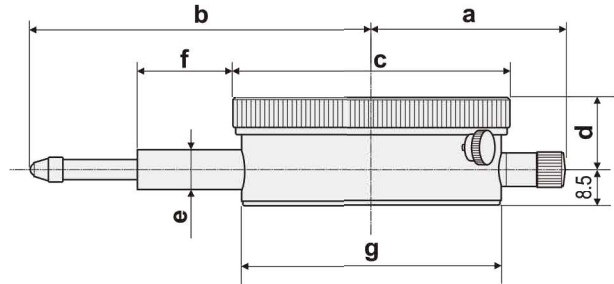


8mm 量程百分表

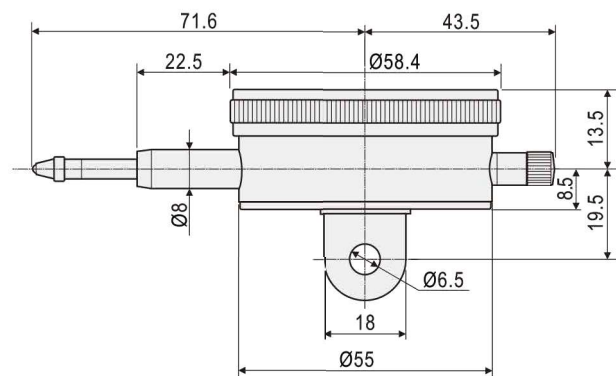
Dial Indicator (8mm)



货号 Code NO.	分度值 Readings mm	测量范围 Measuring Range mm	表盘读数 Dial reading	表圈外径 Ring diameter mm	a mm	b mm	c mm	d mm	e mm	f mm	g mm	备注 Remark
321-115	0.01	0-8	0-100	Ø40.5	33	50.7	Ø40.5	16	Ø8	13	Ø35	LB231
321-231	.001"	0-.25"	0-100	Ø2.362"	40	85.5	Ø60	16	Ø3/8"	17.6	Ø53	LB260.7
321-232	.0005"	0-.25"	0-100	Ø2.362"	40	72	Ø60	16	Ø3/8"	17.6	Ø53	LB262
321-211	.001"	0-.25"	0-100	Ø1.614"	33.8	49	Ø41	13	Ø3/8"	13	Ø35	LB260.4
321-235-1	.001"	0-1.0"	0-100	Ø2.362"	40	60	Ø60	16	Ø3/8"	17.6	Ø53	LB260.4A

10mm 6 钻防震百分表

Dial Indicator with 6 Rubies (10mm)



货号后加D为带耳后盖
D (With Back Lug)

货号 Code NO.	分度值 Readings mm	测量范围 Measuring Range mm	表盘读数 Dial reading	表圈外径 Ring diameter mm
321-123TW	0.01	0-10	0-100	Ø58.4

I