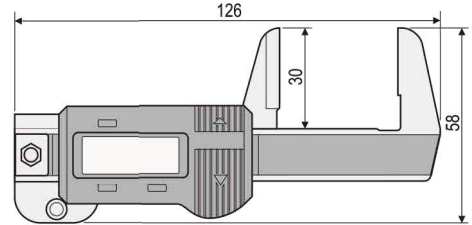


单宽量面数显卡表

Digital Thickness Indicator with Single Large-sized Measuring Face



货号 Code NO.	测量范围 Measuring Range mm	分辨率 Resolution mm	精度 Accuracy mm
315-401	0-30	0.01	0.03

主要特点:

- 轻巧便携
- 使用方便
- 高效率
- 常用于测量较小工件尺寸
- 带电源开关
- 任意位置测量单位转换
- 任意位置清零

FEATURES

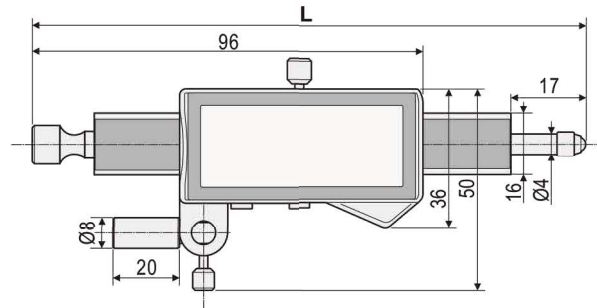
- Light weight
- Easy to operate
- High efficiency
- Used for measuring dimensions of small workpiece
- Power on/off
- Mm/inch conversion at any position
- Zero-setting at any position

矩形数显指示表

Rectangle Digital Indicator



分辨率: 0.01mm
Resolution: 0.01mm



主要特点:

- 装夹结构方便可靠
- 带电源开关
- 公英制转换
- 任意位置清零
- 可通过USB数据线和数据适配器进行数据传输
- 采用绝对原点技术, 不易乱数, 适应性更广

FEATURES

- The clamping structure is convenient and reliable
- Power on/off
- Mm/inch conversion
- Zero-setting at any position
- Data transmission via USB data cable and data adapter
- The absolute origin technology is adopted, which is not easy to be disordered and has wider adaptability

货号 Code NO.	测量范围 Measuring Range mm	精度 Accuracy mm	测量力 Measuring Force N	L mm
311-101-40	0-10	0.02	≤1.5	124
311-103-40	0-30	0.03	≤2.2	144
311-105-40	0-50	0.03	≤2.5	164
311-108-40	0-80	0.03	≤2.5	194
311-110-40	0-100	0.03	≤2.5	214
311-115-40	0-150	0.03	≤2.5	264
311-200-40	0-200	0.03	≤2.5	314