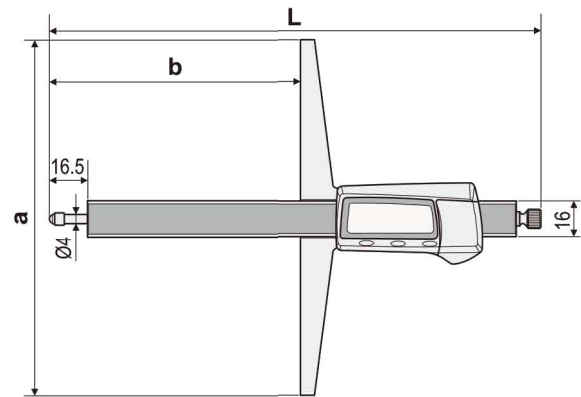


大量程数显深度表

Large-range Digital Depth Indicator



分辨率: 0.01mm
Resolution: 0.01mm



货号 Code NO.	测量范围 Measuring Range mm	精度 Accuracy mm	L mm	a mm	b mm
317-405-10	0-50	0.03	155	150	53
317-410-10	0-100	0.03	205	150	103
317-415-10	0-150	0.03	255	150	153
317-420-10	0-200	0.03	305	150	203
317-405-10A	0-50	0.03	155	200	53
317-410-10A	0-100	0.03	205	200	103
317-415-10A	0-150	0.03	255	200	153
317-420-10A	0-200	0.03	305	200	203

主要特点:

- 体积小, 重量轻, 量程大
- 操作简单, 定位准确
- 测量操作可单手完成
- 通过夹具, 可作为测厚表使用

FEATURES

- Small size, light in weight and large measuring range ;
- Simple operation and accurate positioning ;
- Measurement can be done by one hand ;
- Through the fixture, it can be used as a thickness gauge.

数显内径尺

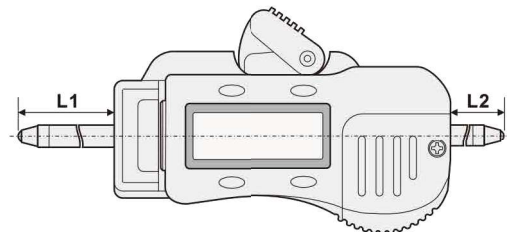
Digital Display Inner Diameter Caliper



NEW



分辨率: 0.01mm
Resolution: 0.01mm



主要特点:

- 选配不同测量杆, 可测量100mm~200mm范围(行程10mm)
- 针对不同的测量范围, 配置不同的校对装置
- 便于简单快捷地测量内尺寸
- 带预置数功能

FEATURES

- Different measuring rods can be selected to measure the range of 100-200mm(stroke of 10mm)
- Configure different calibration devices for different measuring ranges
- It is convenient to measure the internal dimension simply and quickly
- Preset any reading at any position

货号 Code NO.	测量范围 Measuring Range mm	精度 Accuracy mm	L1 mm	L2 mm
113-410-1	100-110	±0.03	10	20
113-410-2	110-120	±0.03	20	20
113-410-3	120-130	±0.03	30	20
113-410-4	130-140	±0.03	40	20
113-410-5	140-150	±0.03	50	20
113-410-6	150-160	±0.03	20+40	20
113-410-7	160-170	±0.03	20+50	20
113-410-8	170-180	±0.03	30+50	20
113-410-9	180-190	±0.03	40+50	20
113-410-10	190-200	±0.03	50+50	20

