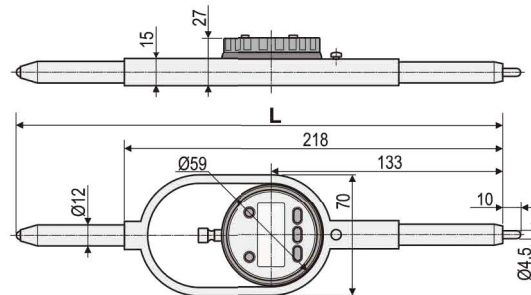


大量程内径表

Large-range Gauge for Inner Diameter



主要特点:

- 测量范围大,可测量大于250mm的内径或槽宽,量程约为10mm
- 数字显示,读数直观
- 可进行绝对测量,也可进行相对测量
- 测量杆可拆卸,便于收藏

FEATURES

- Wide measuring range (>250mm), measuring range (10mm)
- Digital display, read measuring result more directly and easily
- Absolute and relative measurement are available
- Removable measuring rod is easy to collect

使用方法:

1. 将量表的测量杆两端接触管壁或槽壁,移动活动测量头的一端,使显示值最大,此尺寸即为内径值或槽宽值
2. 相对测量: $M=L+a$; 绝对测量: $M=a$, 将L值预置在指示表内, M: 测量值, L: 标定值, a: 显示值

货号 Code NO.	测量范围 Measuring Range mm	分辨力 Resolution mm	精度 Accuracy mm
318-201	0-10	0.01	0.02

Operation instruction

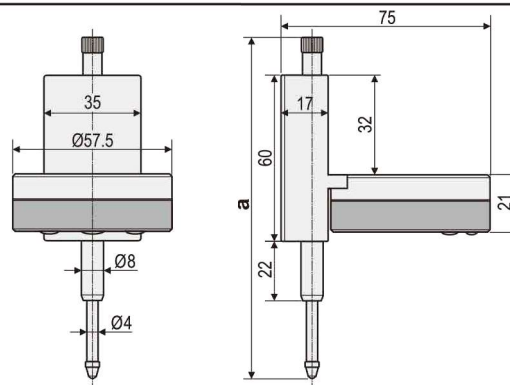
1. Contact the two side of measuring rod with the pipe or groove, move the measuring point, the largest number on the display is the size of the workpiece
2. Relative measurement $M=L+a$; Absolute measurement $M=a$.
Preset L value in the indicator
M: measured value, L: calibration value, a: display value

垂直数显指示表

Digital Indicator (Perpendicular type)



分辨力: 0.01mm
Resolution: 0.01mm



货号 Code NO.	测量范围 Measuring Range mm	精度 Accuracy mm	测量力 Measuring Force N	a mm
312-231	0-10	0.02	≤1.5	115.5
312-232	0-20	0.03	≤2.2	125.5

主要特点:

- 任意位置清零
- 公英制转换
- 测量时,按下M键,进入HOLD状态,屏幕保留此时的测量值
- 记录连续测量过程中的最大值或最小值
- 记录连续测量的最大与最小值之差(Δ),用于平面度和同轴度的测量
- 测量的数据可通过数据采集系统进行数据传输
- 显示器垂直于测量方向,便于水平测量时读数
- 大量用于汽车安全玻璃生产检测

FEATURES

- Zero-setting at any position
- Mm/inch conversion at any position
- Press M button, LCD holds the measuring result
- Hold the max or the minimum reading during measurement
- Tracing the balance between Max and Min value (Δ = MAX-MIN)
- Data output port
- Display LCD is perpendicular to the measuring tip, easy for reading
- For checking car's safety glass