

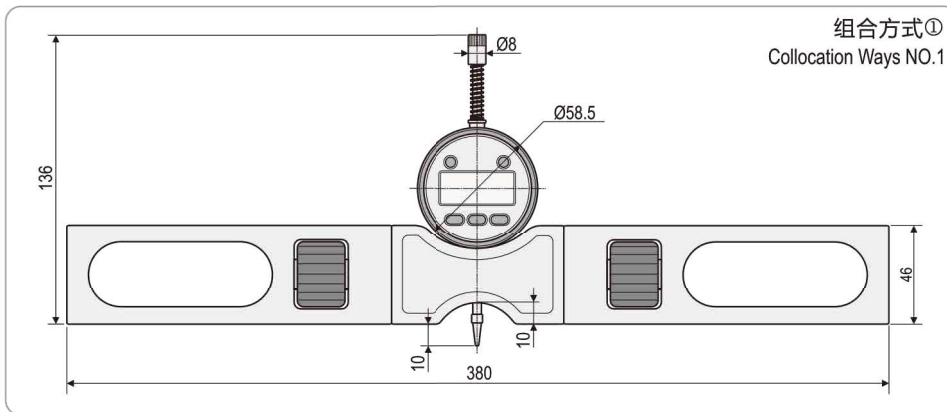
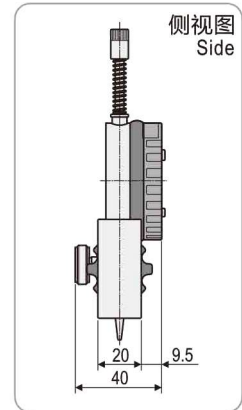
组合式测深表

Indicator with Exchangeable Bases for Depth Measuring

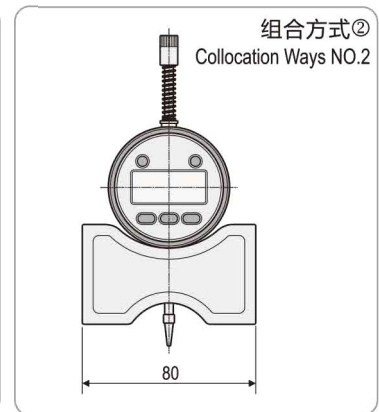


317-202T

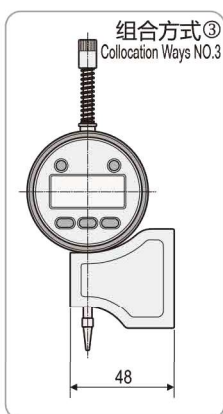
分辨率: 0.01mm
Resolution: 0.01mm



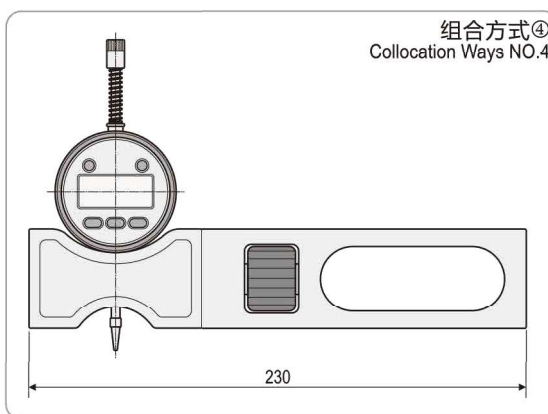
组合方式①
Collocation Ways NO.1



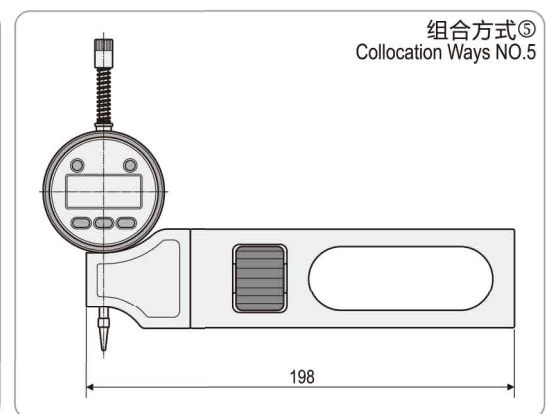
组合方式②
Collocation Ways NO.2



组合方式③
Collocation Ways NO.3



组合方式④
Collocation Ways NO.4



组合方式⑤
Collocation Ways NO.5

主要特点:

- 产品为高强度铝合金尺身, 重量轻, 便于携带
- 可以5种方式进行组合, 适应不同环境的要求
- 拆装方便, 快捷可靠
- 可配置不同量程的指示表, 满足不同的需要
- 广泛用于土木、道路、桥梁、铁路、塔架、管道等工程建设中的测量

FEATURES

- Aluminium alloy frame, light weight for easy carry
- Can be used for 5 ways
- Easy to assemble and disassemble
- Can match with different measuring range indicators
- For measuring wood, earth, bridge, railway, tower frame, pipe etc.