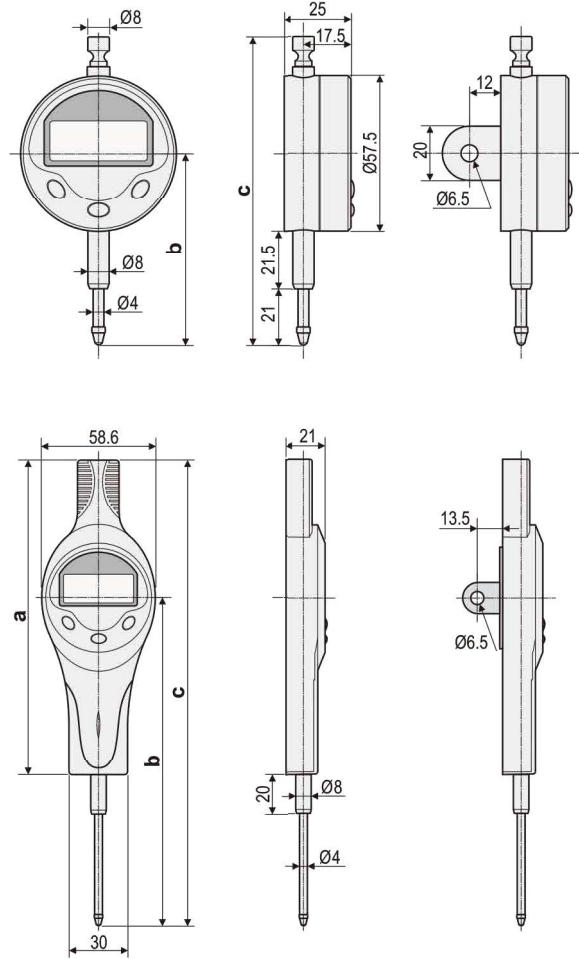


**数显百分指示表**

Digital Indicator(0.01)



分辨率: 0.01mm  
Resolution: 0.01mm  
货号后加D为带耳后盖  
D (With Back Lug)

**主要特点:**

标准型: **ON/OFF**键

- 任意位置清零
- 公英制转换
- 测量的数据可通过数据采集系统进行数据传输

多功能型: **M**键

- 任意位置清零
- 公英制转换
- 测量时,按下M键,进入HOLD状态,屏幕保留此时的测量值
- 记录连续测量过程中的最大值或最小值
- 记录连续测量的最大与最小值之差( $\Delta$ ),用于平面度和同轴度的测量
- 测量的数据可通过数据采集系统进行数据传输

**FEATURES:**

**Standard Type: ON/OFF Key**

- Zero-setting at any position
- Mm/Inch conversion at any position
- Measuring value can be transmitted to PC

**Multi-Functional Type: M Key**

- Zero-setting at any position
- Mm/inch conversion at any position
- Hold the digits on screen
- Hold the max or the minimum reading during measurement
- Tracing the balance between Max and Min value ( $\Delta = \text{MAX} - \text{MIN}$ )
- Measuring value can be transmitted to PC

货号 Code NO.	测量范围 Measuring Range mm	精度 Accuracy mm	测量力 Measuring Force N	a mm	b mm	c mm
312-101-11	0-12.7	0.03	≤2.2	—	71	114
312-102-11	0-25	0.03	≤2.5	—	83.5	126.5
312-103-10	0-30	0.03	≤2.5	122	128	179
312-105-10	0-50	0.03	≤2.5	162	168	239

多功能型请在货号后加 M. Item code with "M" if need multi-functional

