

蓝牙数显百分表

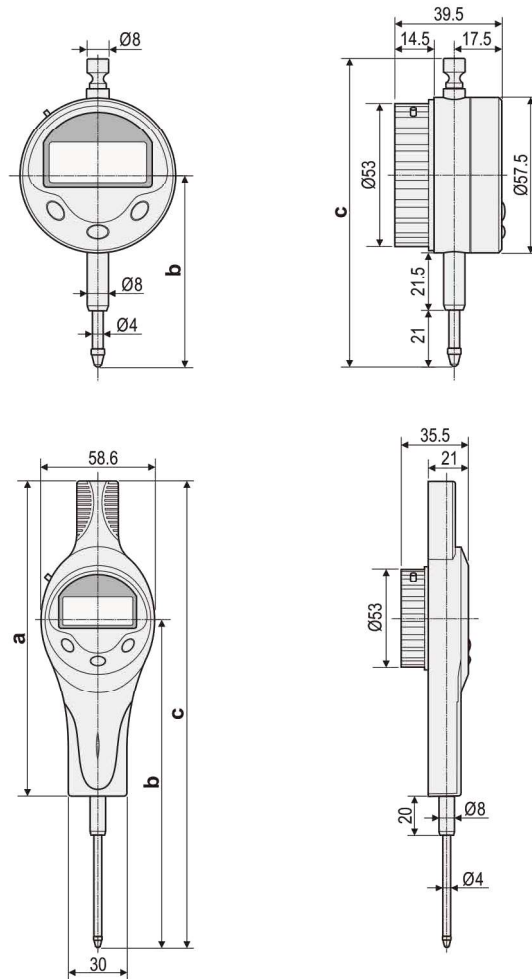
Bluetooth Digital Indicator(0.01)



NEW



分辨率: 0.01mm
Resolution: 0.01mm



主要特点:

- 保留标准型ON/OFF键和多功能型M键两种数显指示表的所有功能
- 配有蓝牙后盖, 可把测量数据传输到手机、平板和电脑
- 双电源供电, 纽扣电池1.5V(表头), CR2032 3V(后盖)
- 两种工作模式: 简易连接软件模式和HID配对键盘模式
- 具备OTA无线升级功能, 功能定制升级, 无需返厂

FEATURES

- Keep all functions of the digital display dial indicator
- Equipped with bluetooth back cover, it can transmit measurement data to mobile phones, tablets and computers
- Dual power supply, button battery 1.5V (meter head), CR2032 3V(rear cover)
- Two working modes: simple connection software mode and HID paired keyboard mode
- With OTA wireless upgrade function, function customization and upgrade, no need to return to the factory

| 货号 Code NO. | 测量范围 Measuring Range mm | 精度 Accuracy mm | 测量力 Measuring Force N | a mm | b mm | c mm |
|----------------|-------------------------------|----------------------|-----------------------------|---------|---------|---------|
| 312-101-11MBT | 0-12.7 | 0.03 | ≤2.2 | — | 71 | 114 |
| 312-102-11MBT | 0-25 | 0.03 | ≤2.5 | — | 83.5 | 126.5 |
| 312-103-10M-SJ | 0-30 | 0.03 | ≤2.5 | 122 | 128 | 179 |
| 312-105-10M-SJ | 0-50 | 0.03 | ≤2.5 | 162 | 168 | 239 |

