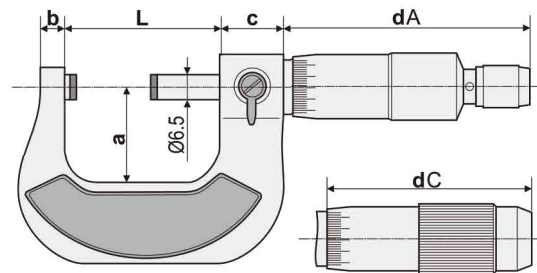


外径千分尺

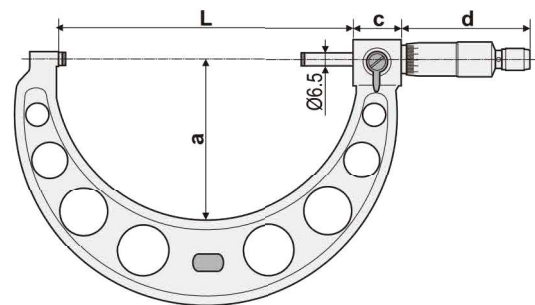
Outside Micrometer



货号 Code NO.	货号 Code NO.	测量范围 Measuring Range mm	分度值 Graduation mm	精度 Accuracy mm	L mm	a mm	b mm	c mm	dA mm	dC mm
261-101A	261-101C	0-25	0.01	0.004	31	24	7	17	68	56
261-102A	261-102C	25-50	0.01	0.004	56	32	10	17	68	56
261-103A	261-103C	50-75	0.01	0.005	81	45	10	17	68	56
261-104A	261-104C	75-100	0.01	0.005	106	57	10	17	68	56



货号 Code NO.	测量范围 Measuring Range mm	分度值 Graduation mm	精度 Accuracy mm	L mm	a mm	c mm	d mm
261-101D	0-25	0.01	0.004	31	27	17	68
261-102D	25-50	0.01	0.004	56	42	17	68
261-103D	50-75	0.01	0.005	81	54	17	68
261-104D	75-100	0.01	0.005	106	64	17	68
261-105D	100-125	0.01	0.006	131	80	17	68
261-106D	125-150	0.01	0.006	156	94	17	68
261-107D	150-175	0.01	0.007	181	108	17	68
261-108D	175-200	0.01	0.007	206	124	17	68
261-109D	200-225	0.01	0.008	231	132	17	68
261-110D	225-250	0.01	0.008	256	147	17	68
261-111D	250-275	0.01	0.009	281	158	17	68
261-112D	275-300	0.01	0.009	307	169	17	68



主要特点:

- 精准的机械式结构，以使读数更直观方便
- 内置式限力装置，确保精确的重复读数
- 硬质合金测量面，保证设备持久的稳定性

FEATURES

- With mechanical structure, easy to read
- Built-in force limiting device ensures accuracy of repeat reading
- Cemented carbide measuring surface ensures the constant stabilization of the equipment

G