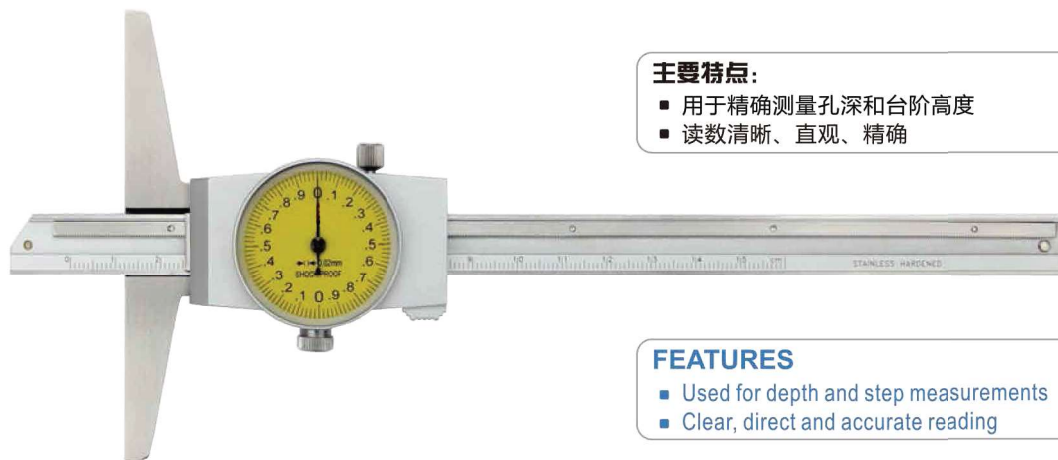


**带表深度尺**

Dial Depth Gauge

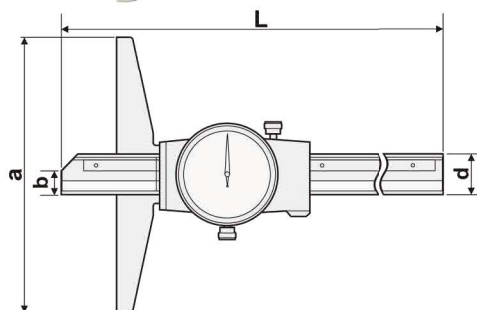


**主要特点:**

- 用于精确测量孔深和台阶高度
- 读数清晰、直观、精确

**FEATURES**

- Used for depth and step measurements
- Clear, direct and accurate reading



货号 Code NO.	测量范围 Measuring Range mm	分度值 Graduation mm/inch	精度 Accuracy mm	示值/周 Range/rev.	L mm	a mm	b mm	d mm
181-132A	0-150	0.02	± 0.03	1	236	100	4.6	13.5
181-132-1A	0-150	0.02	± 0.03	1	236	150	4.6	13.5
181-134A	0-200	0.02	± 0.03	1	286	100	4.6	13.5
181-134-1A	0-200	0.02	± 0.03	2	286	150	4.6	13.5
181-136A	0-300	0.02	± 0.04	2	380	100	4.6	14
181-136-2A	0-300	0.02	± 0.04	2	380	150	4.6	14
181-138A	0-500	0.02	± 0.05	2	585	150	6	16
181-138A-1	0-500	0.02	± 0.05	2	585	200	6	16

**单钩头带表深度尺**

Dial Depth Gauge with Single Hook

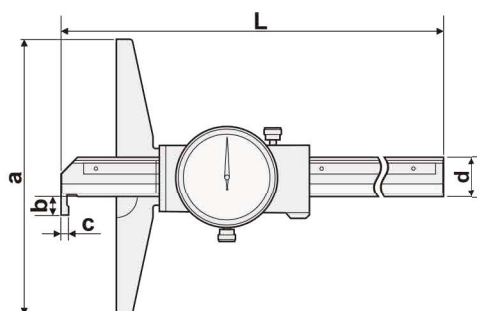


**主要特点:**

- 用于精确测量沟槽宽和沟槽位置尺寸
- 读数清晰、直观、精确

**FEATURES**

- Used for depth and step measurements
- Clear, direct and accurate reading



货号 Code NO.	测量范围 Measuring Range mm	分度值 Graduation mm/inch	精度 Accuracy mm	示值/周 Range/rev.	L mm	a mm	b mm	c mm	d mm
183-122A	0-150	0.01	± 0.03	1	236	100	5	2	13.5
183-132A	0-150	0.02	± 0.03	1	236	100	5	2	13.5
183-122-1A	0-150	0.01	± 0.03	1	236	150	5	2	13.5
183-132-1A	0-150	0.02	± 0.03	1	236	150	5	2	13.5
183-124A	0-200	0.01	± 0.03	1	286	100	5	2	13.5
183-134A	0-200	0.02	± 0.03	2	286	100	5	2	13.5
183-124-1A	0-200	0.01	± 0.03	2	286	150	5	2	13.5
183-134-1A	0-200	0.02	± 0.03	2	286	150	5	2	13.5
183-126A	0-300	0.01	± 0.04	2	405	100	5	2	14
183-136A	0-300	0.02	± 0.04	2	405	100	5	2	14
183-126-1A	0-300	0.01	± 0.04	2	405	150	5	2	14
183-136-1A	0-300	0.02	± 0.04	2	405	150	5	2	14