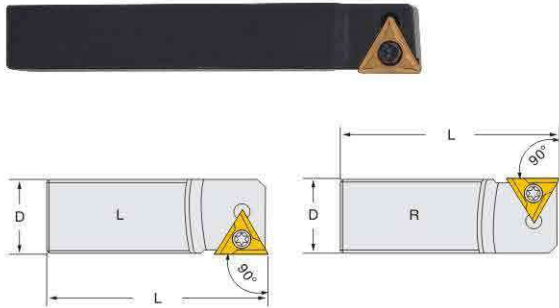


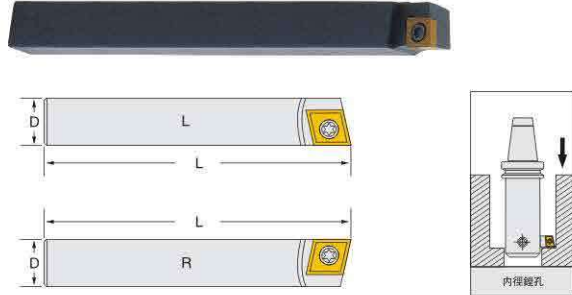
TBS捨棄式鏜孔刀杆
TBS Hole Boring Throw-away Cutting Tools



T90度刀杆適用於BSB刀柄 Fit For BSB Boring Bar

型號 Model	尺寸 Size(mm)		鏜孔範圍 Boring Range	刀片型號 Insert	螺絲 Screw	扳手 Wrench	單價 RMB
	D	L					
TBS 910-45-L/R	10	45	50-70	TP**0902	T22050S	T8F	80
TBS 913-55-L/R	13	55	70-90	TC**1102	T25050S	T8F	80
916-80-L/R	16	80	90-115				80
TBS 919-105-L/R	19	105	105-140	TC**16T3	T40090S	T15F	120
925-125-L/R	25	125	140-190				240

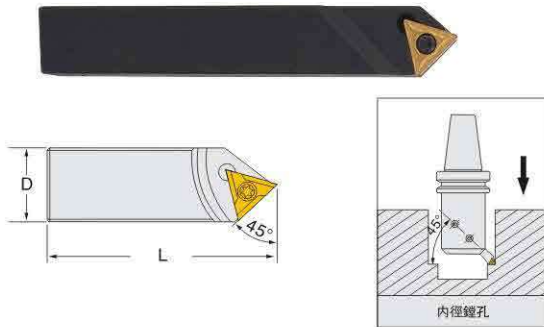
CBS捨棄式鏜孔刀杆
CBS Hole Boring Throw-away Cutting Tools



C90度刀杆適用於BSB刀柄 Fit For BSB Boring Bar

型號 Model	尺寸 Size(mm)		鏜孔範圍 Boring Range	刀片型號 Insert	螺絲 Screw	扳手 Wrench	單價 RMB
	D	L					
CBS 908-30-L	8	30	38-52	CC**0602	T25050S	T8F	80
910-45-L/R	10	45	50-70				80
CBS 913-65-L	13	48	50-70	CC**09T3	T40090S	T15F	80
<i>New!</i> 913-80-R	13	65	70-90				80
916-80-L/R	16	80	90-115				80
CBS 919-105-L/R	19	105	115-150	CC**1204	T50120S	T20F	120
925-135-L	25	135	140-190				240
<i>New!</i> 925-150-L	25	150	190-230				300

R為右手刀背鏜專用



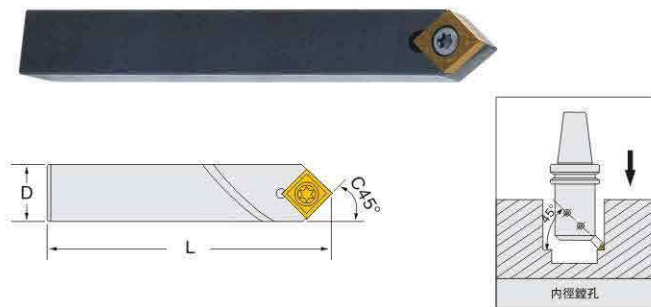
T45度刀杆適用於BSA刀柄 Fit For BSA Boring Bar

型號 Model	尺寸 Size(mm)		鏜孔範圍 Boring Range	刀片型號 Insert	螺絲 Screw	扳手 Wrench	單價 RMB
	D	L					
TBS 410-50	10	50	42-56	TP**0902	T22050S	T8F	80
TBS 413-60	13	60	50-65	TP**1103	T30070S	T8F	80
<i>New!</i> 413-75	13	75	65-95				80
416-75	16	75	62-90				80
TBS 419-115	19	115	90-125	TC**16T3	T40090S	T15F	120
425-130	25	130	105-160				240

特點/Feature

- TBS適合精加工及中切削加工。
TBS cutter is suit for precision and moderate machining.

R為右手刀背鏜專用



C45度刀杆適用於BSA刀柄 Fit For BSA Boring Bar

型號 Model	尺寸 Size(mm)		鏜孔範圍 Boring Range	刀片型號 Insert	螺絲 Screw	扳手 Wrench	單價 RMB
	D	L					
CBS 408-35	8	35	30-42	CC**0602	T25050S	T8F	80
410-45	10	45	38-52				80
CBS 413-60	13	60	50-65	CC**09T3	T40090S	T15F	80
<i>New!</i> 413-100	13	100	65-105				120
416-75	16	75	62-90				80
CBS 419-115	19	115	90-125	CC**1204	T50120S	T20F	120
<i>New!</i> 419-160	19	160	125-175				240
425-120	25	130	105-160				240

特點/Feature

- CBS適合重切削加工。It suit for heavy cutting machining.