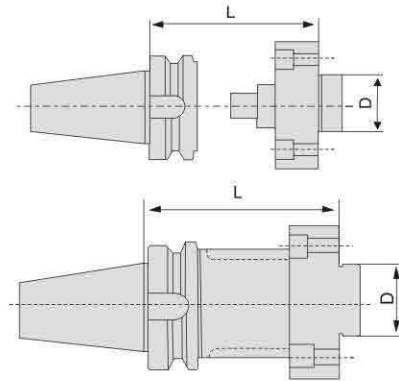


### NBH2084镗头刀柄

NBH2084 Boring Adapter



型號 Model	尺寸 Size(mm)		单价 RMB
	D	L	
NBT30-NBH2084	35	55	400
BT30-NBH2084	35	55	240
BT40-NBH2084	35	45	190
BT50-NBH2084	35	55	380
NT30-NBH2084(M12)	35	55	240
NT40-NBH2084(5/8)	35	25	240
NT40-NBH2084(M16)	35	25	240
NT50-NBH2084(M24)	35	25	480
SK30-NBH2084	35	55	240
SK40-NBH2084	35	55	400
SK50-NBH2084	35	55	480
BBT40-NBH2084	35	45	1000
BBT50-NBH2084	35	55	1400
CAT40-NBH2084	35	55	300
CAT50-NBH2084	35	55	600
HSK63A-NBH2084	35	85	1000
HSK100A-NBH2084	35	90	1400
ISO40-NBH2084	35	45	300
ISO50-NBH2084	35	55	600
C20-NBH2084	35	15	400
C25-NBH2084	35	15	440
C32-NBH2084	35	15	320
C40-NBH2084	35	15	360
C42-NBH2084	35	15	360
R8-NBH2084(7/16)	35	15	240
R8-NBH2084(M12)	35	15	240
BT40-NBH2084-100L	35	100	400
BT40-NBH2084-150L	35	150	600
BT40-NBH2084-200L	35	200	800
BT40-NBH2084-250L	35	250	1000
BT50-NBH2084-100L	35	100	480
BT50-NBH2084-150L	35	150	600
BT50-NBH2084-200L	35	200	800
BT50-NBH2084-250L	35	250	1000
BT50-NBH2084-300L	35	300	1200
BT50-NBH2084-350L	35	350	1400
<i>New!</i> BT50-NBH2084-400L	35	400	1600
<i>New!</i> BT50-NBH2084-450L	35	450	1800
<i>New!</i> BT50-NBH2084-500L	35	500	2000
MT3-NBH2084	35	15	280
MT4-NBH2084	35	15	280
MT5-NBH2084	35	15	340
MT6-NBH2084	35	15	440
MTB3-NBH2084	35	15	280
MTB4-NBH2084	35	15	280
MTB5-NBH2084	35	15	340
MTB6-NBH2084	35	15	440
公制80-NBH2084	35	15	1100
公制120-NBH2084	35	15	1200