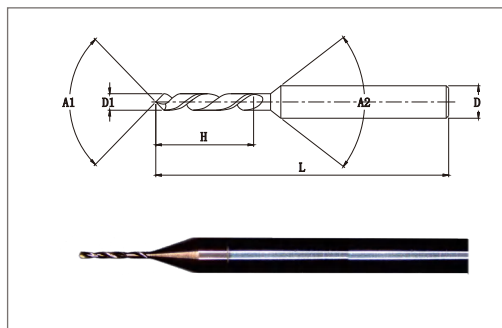


DC836

硬质合金涂层钻头

CARBIDE COATED DRILL



直径范围: $\Phi 0.04 - \Phi 3.0\text{mm}$

直径公差: $0 - 0.005\text{mm}$

$D1 \leq 1.0\text{mm}$ 钻尖角度为 118°

$D1 > 1.0\text{mm}$ 钻尖角度为 135°

- ◆ 采用超微细颗粒, 超耐磨硬质合金
Ultra fine particles and super wear resistant cemented carbide are used.
- ◆ 新开发复合涂层, 增强钻头抗疲劳性及耐磨性
A new composite coating is developed to enhance the fatigue resistance and wear resistance of drill.
- ◆ 特别适用于不锈钢, 高温合金等材料的孔加工
Especially suitable for hole machining of stainless steel, superalloy and other materials.
- ◆ 长寿命, 高效率
Long life, high efficiency.

可切削材料 (● 最适合 ● 适合)

碳素钢 S45C S55C	合金钢 SK·SCM SUS	预硬钢 NAK HPM	~55HRC	淬火钢 ~60HRC ~70HRC	高温合金	铜合金	铝合金	树脂	工程塑料
●	●	●	●		●	●	●	●	●
铸铁	钛合金	玻璃纤维	电木	石墨	氧化锆	单晶硅	陶瓷	碳纤维	
●	●	●	●						

單位: (mm)

商品号 EDP NO.	直径 D1	刃长 H	柄径 D	全长 L
836-1000	1.00	8.0	4.0	50
836-1100	1.10	8.0	4.0	50
836-1200	1.20	8.0	4.0	50
836-1300	1.30	8.0	4.0	50
836-1400	1.40	8.0	4.0	50
836-1500	1.50	8.0	4.0	50
836-1600	1.60	11.0	4.0	50
836-1700	1.70	11.0	4.0	50
836-1800	1.80	11.0	4.0	50
836-1900	1.90	11.0	4.0	50
836-2000	2.00	11.0	4.0	50
836-2100	2.10	13.0	4.0	50
836-2200	2.20	13.0	4.0	50
836-2300	2.30	13.0	4.0	50
836-2400	2.40	13.0	4.0	50
836-2500	2.50	13.0	4.0	50
836-2600	2.60	16.0	4.0	50
836-2700	2.70	16.0	4.0	50
836-2800	2.80	16.0	4.0	50
836-2900	2.90	16.0	4.0	50
836-3000	3.00	16.0	4.0	50
836-3100	3.10	18.0	4.0	50
836-3200	3.20	18.0	4.0	50
836-3300	3.30	18.0	4.0	50
836-3400	3.40	18.0	4.0	50
836-3500	3.50	18.0	4.0	50
836-3600	3.60	20.0	4.0	50
836-3700	3.70	20.0	4.0	50
836-3800	3.80	20.0	4.0	50
836-3900	3.90	20.0	4.0	50
836-4000	4.00	20.0	4.0	50
836-4100	4.10	20.0	6.0	50
836-4200	4.20	20.0	6.0	50
836-4300	4.30	20.0	6.0	50
836-4400	4.40	20.0	6.0	50
836-4500	4.50	20.0	6.0	50
836-4600	4.60	24.0	6.0	60
836-4700	4.70	24.0	6.0	60
836-4800	4.80	24.0	6.0	60
836-4900	4.90	24.0	6.0	60
836-5000	5.00	24.0	6.0	60
836-5100	5.10	26.0	6.0	60
836-5200	5.20	26.0	6.0	60
836-5300	5.30	26.0	6.0	60
836-5400	5.40	26.0	6.0	60
836-5500	5.50	26.0	6.0	60
836-5600	5.60	26.0	6.0	60
836-5700	5.70	26.0	6.0	60
836-5800	5.80	26.0	6.0	60
836-5900	5.90	26.0	6.0	60
836-6000	6.00	26.0	6.0	60
836-6100	6.10	28.0	8.0	60
836-6200	6.20	28.0	8.0	60
836-6300	6.30	28.0	8.0	60
836-6400	6.40	28.0	8.0	60
836-6500	6.50	28.0	8.0	60
836-6600	6.60	28.0	8.0	60
836-6700	6.70	28.0	8.0	60
836-6800	6.80	28.0	8.0	60
836-6900	6.90	28.0	8.0	60

單位: (mm)

商品号 EDP NO.	直径 D1	刃长 H	柄径 D	全长 L
836-7000	7.00	28.0	8.0	60
836-7100	7.10	30.0	8.0	60
836-7200	7.20	30.0	8.0	60
836-7300	7.30	30.0	8.0	60
836-7400	7.40	30.0	8.0	60
836-7500	7.50	30.0	8.0	60
836-7600	7.60	30.0	8.0	60
836-7700	7.70	30.0	8.0	60
836-7800	7.80	30.0	8.0	60
836-7900	7.90	30.0	8.0	60
836-8000	8.00	30.0	8.0	60
836-8100	8.10	34.0	10.0	75
836-8200	8.20	34.0	10.0	75
836-8300	8.30	34.0	10.0	75
836-8400	8.40	34.0	10.0	75
836-8500	8.50	34.0	10.0	75
836-8600	8.60	36.0	10.0	75
836-8700	8.70	36.0	10.0	75
836-8800	8.80	36.0	10.0	75
836-8900	8.90	36.0	10.0	75
836-9000	9.00	36.0	10.0	75
836-9100	9.10	38.0	10.0	75
836-9200	9.20	38.0	10.0	75
836-9300	9.30	38.0	10.0	75
836-9400	9.40	38.0	10.0	75
836-9500	9.50	38.0	10.0	75
836-9600	9.60	40.0	10.0	75
836-9700	9.70	40.0	10.0	75
836-9800	9.80	40.0	10.0	75
836-9900	9.90	40.0	10.0	75
836-10000	10.00	40.0	10.0	75
836-10100	10.10	42.0	12.0	75
836-10200	10.20	42.0	12.0	75
836-10300	10.30	42.0	12.0	75
836-10400	10.40	42.0	12.0	75
836-10500	10.50	42.0	12.0	75
836-10600	10.60	42.0	12.0	75
836-10700	10.70	42.0	12.0	75
836-10800	10.80	42.0	12.0	75
836-10900	10.90	42.0	12.0	75
836-11000	11.00	42.0	12.0	75
836-11100	11.10	45.0	12.0	75
836-11200	11.20	45.0	12.0	75
836-11300	11.30	45.0	12.0	75
836-11400	11.40	45.0	12.0	75
836-11500	11.50	45.0	12.0	75
836-11600	11.60	45.0	12.0	75
836-11700	11.70	45.0	12.0	75
836-11800	11.80	45.0	12.0	75
836-11900	11.90	45.0	12.0	75
836-12000	12.00	45.0	12.0	75
836-12500	12.50	52.0	14.0	100
836-13000	13.00	52.0	14.0	100
836-13500	13.50	52.0	14.0	100
836-14000	14.00	52.0	14.0	100
836-14500	14.50	60.0	16.0	100
836-15000	15.00	60.0	16.0	100
836-15500	15.50	60.0	16.0	100
836-16000	16.00	60.0	16.0	100